

MODEL 2100B



Power Calibration System 600 Volt - 100 Amp 50, 60 Hz

- Menu Driven Software
- Watt Hour & Energy Meter Calibration
- Uncertainty to <30 PPM
- All Power Factor

MODEL INFORMATION

The Model 2100B is designed to generate voltages up to 600V and currents to 100A at any power factor from zero lag through unity, to zero lead. Completely automated, the 2100B is ideal for calibrating wattmeters, energy meters, watt hour meters, watt transducers and VA measurements to <30 PPM.

Traceability is provided through a built in standard resistor for in-phase measurements and a standard capacitor for quadrature measurements. The system is also capable of calibrating its own resistance standard directly against an external standard. A controller and software are used to control the units together using an IEEE488 interface. The system is supplied in a 1.8 meter equipment rack on castors for mobility. The rack is equipped with a pull out tray for placing the unit under test (UUT). All connections to the UUT are made from the front panel of the system.

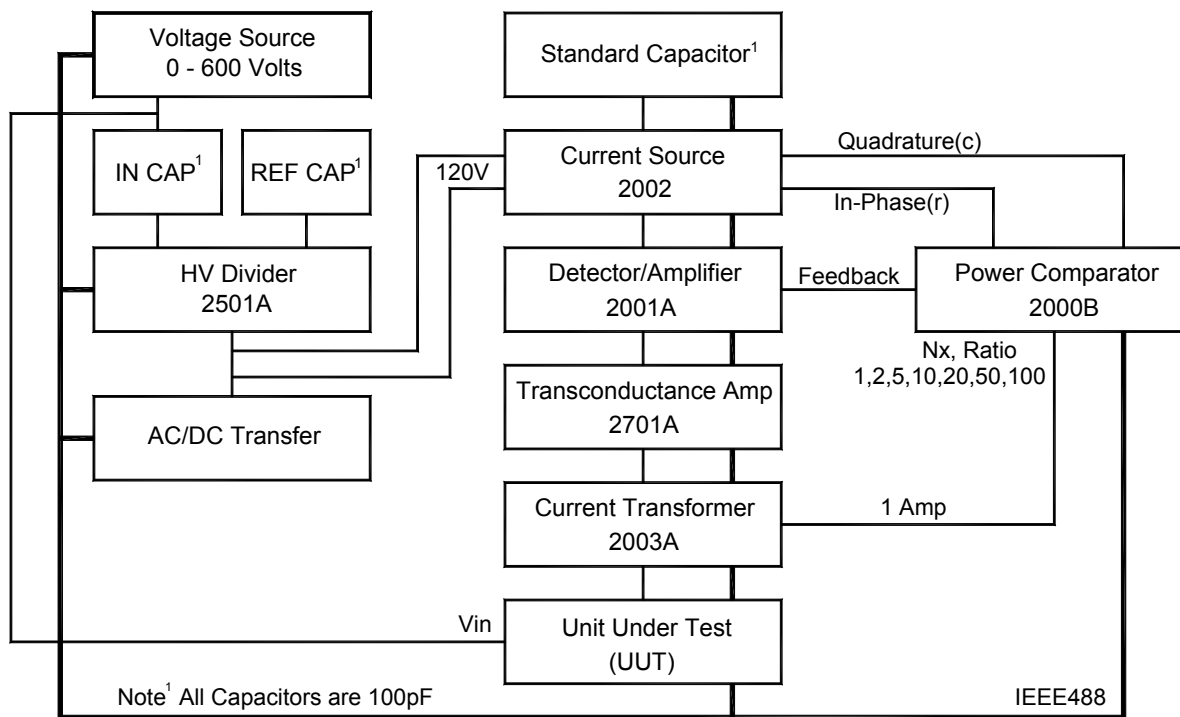
The system is comprised of a Power Comparator (2000A), a 10 mA in phase Quadrature Current Source (2002), Transconductance Amplifier (2701A), an Auto Ranging Current Transformer (2003A), a Detector Amplifier (2001A), 2501A AC Precision Divider. Several wattmeters, DVM's and AC/DC Transfer Standards have drivers built into the system software. The source code maybe purchased to allow other measurement devices to be added at anytime.

The 2100B Reference Power Calibration System is fully automated and programmable primary standard for AC power measurements. It can be used for calibrating both active and reactive power and energy meters under sinusoidal conditions.



Traceability for the measurements is provided through the standard resistor and standard capacitor internal to the 2002 current source, the AC/DC Transfer Standard measurement and the uncertainty of the Model 2501A High Voltage Divider. The resistor, capacitor and high voltage divider are supplied with calibration reports.

The system, using model 2000A AC Comparator and 2001 Detector, is capable of calibrating the standard resistor against external standards to better than 3 ppm uncertainty. An external resistor, the model 7050, 12K Ohm AC Standard Resistor, may be purchased and sent out for calibration periodically as the reference standard.



Software menus allow for changing voltages, currents, power factors and number of readings easily. The MEAN, SIGMA, STD. DEVIATION and VARIANCE are calculated and displayed on the calibration report.

The 2100B system includes the model 2501A AC Precision Divider. The 2501A has ranges of 600, 480, 240 & 120 with uncertainties of less than 10 PPM. The AC/DC Transfer Standard is not exposed to voltages greater than 120V. Accuracy of the 2100B is based on uncertainties associated to measuring R and C and the input voltage via an automated AC/DC Transfer Standard and the uncertainty associated with the 2501A High Voltage Divider. The resistor and capacitor are included in the model 2002 Current source are supplied with an NRCC calibration report. Calibration of the resistor and capacitor are performed at the test voltage of 120V and frequencies of 50, 60 and 400 Hz.



Model 2100 Power Reference System Software Main Menu

MEASUREMENTS INTERNATIONAL PRESCOTT, ONTARIO, CANADA		
SELF - BALANCING POWER & ENERGY CALIBRATION SYSTEM		
POWER CALIBRATION	< E > - ENERGY	< P > - POWER
Actual Parameters	< F1 = Start Balancing >	Ready For Balancing
AC Voltage - < F2 = Change > 100.0000 Vrms +/- 2.00ppm	< F12 = No of Measurements > 5	Reference Capacitor 1000.0000pF +/- 2.0 ppm
Current/Power Fact. Pairs Entered: 1 < F3+Change >	< F11 = Set Readings To Mean > 5	Reference Resistor 11.999436KΩ +/- 2.1 ppm
Wattmeter: none Voltmeter: not used	< F7 = Choose Wattmeter > < F10 = Printer On/Off >	< Ctrl+F5 = New Vlalue of C > < Ctrl+F6 = New Vlalue of R >
< F4 = Set Waiting Time > 4 sec	Frenquency 50 Hz +/- 2.0 ppm	Reference Resistor < F8 = Exit To DOS >

**SELF-BALANCING POWER & ENERGY REFERENCE CALIBRATION SYSTEM
 CALIBRATION REPORT**

Wattmeter Under Test: MIL 2010A Serial Number: 950701
 Voltmeter: not used
 Time 09:15:22 Date : 06-11-1997

WATTMETER RANGE
 Voltage [V].....120
 Current [mA].....1000
 SI UNITS.....WATTS

TEST CONDITIONS

Voltage [V].....120 +/- 1.00 ppm
 Current[mA].....1000 mA
 Power Factor... 1

MIL Watts	MIL Uncertainty	Test Watts	Test Uncertainty	Test Error
+120.0000	+4.73	+120.0005	+5.49	+4.35
+120.0000	+4.73	+120.0003	+5.37	+2.29
+120.0000	+4.73	+120.0004	+5.28	+3.43
+120.0000	+4.73	+120.0004	+5.68	+3.23
+120.0000	+4.73	+120.0006	+5.25	+5.24
+120.0000	+4.73	+120.0004	+6.02	+3.67
+120.0000	+4.73	+120.0005	+5.57	+4.20
+120.0000	+4.73	+120.0003	+6.10	+2.86
+120.0000	+4.73	+120.0007	+5.23	+5.44
+120.0000	+4.73	+120.0007	+5.32	+5.93

Test Meter
 =====

MEAN.....	+4.06
SIGMA.....	+0.38
STD.DEVIATION.....	+1.19
VARIANCE.....	+1.41



Specifications:

Output Voltage	600 Volts Maximum
Voltage Accuracy	15 PPM
Output Current	100 Amps Maximum
Current Accuracy	10 PPM
Test Frequency	50, 60 and 400 Hz
Current Ratios	1, 2, 4, 10, 20, 40, 100, 200
Power Factor	-0 to 1 to +0 (All)
Power Uncertainty	<30 ppm Magnitude <30 ppm Quadrature
Operating Environment	18 to 34 °C, 10 to 80% RH
Warranty	1 Year Parts & Labor

Dimensions:

1.8 m High

Weight:

350 kg

Shipping Weight:

400 kg

Accessories:

7050 AC resistor

Operating Power:

100, 120, 220, 240 Volts - 50/60 Hz

How to Order:

Model: 2100B - Power Calibration System

Disributed By:

Corporate Headquarters

Measurements International
 PO Box 2359, 118 Commerce Drive
 Prescott, Ontario, Canada K0E 1T0

Phone: +(613) 925-5934
 Fax: +(613) 925-1195
 Email: sales@mintl.com
 Toll Free: 1-800-324-4988

© Copyright 2010, 2012, 2016 Measurements International Limited.
 All rights reserved.

Worldwide Offices

MI-USA
 Phone: +(407) 706-0328
 Toll Free: 1-866-684-6393
 Email: sales@mintl.com

MI-China
 Phone: +86-10-64459890
 Email: sales@mintl.com

MI-Europe
 Phone: +(420) 731-440-663
 Email: sales@mintl.com

MI-Japan
 Phone: +(81) 72 39 64 660
 Email: kaz@mijpn.com

MI-India
 Phone: +(91) 98 10 134 932
 Email: sales@MILLP.co.in

